

## Mould Service Table

February 07, 2023

Dear Sir,

Thank you very much for your interest in our range of products. As desired by you, we are pleased to submit our proposal for Mould Service Table as below:



### **A. General information**

Die / Mould opening / assembly Table is a unique device intended for opening and assembly of mould in very short times. It is necessary to use hoisting equipment for manipulation of the device.

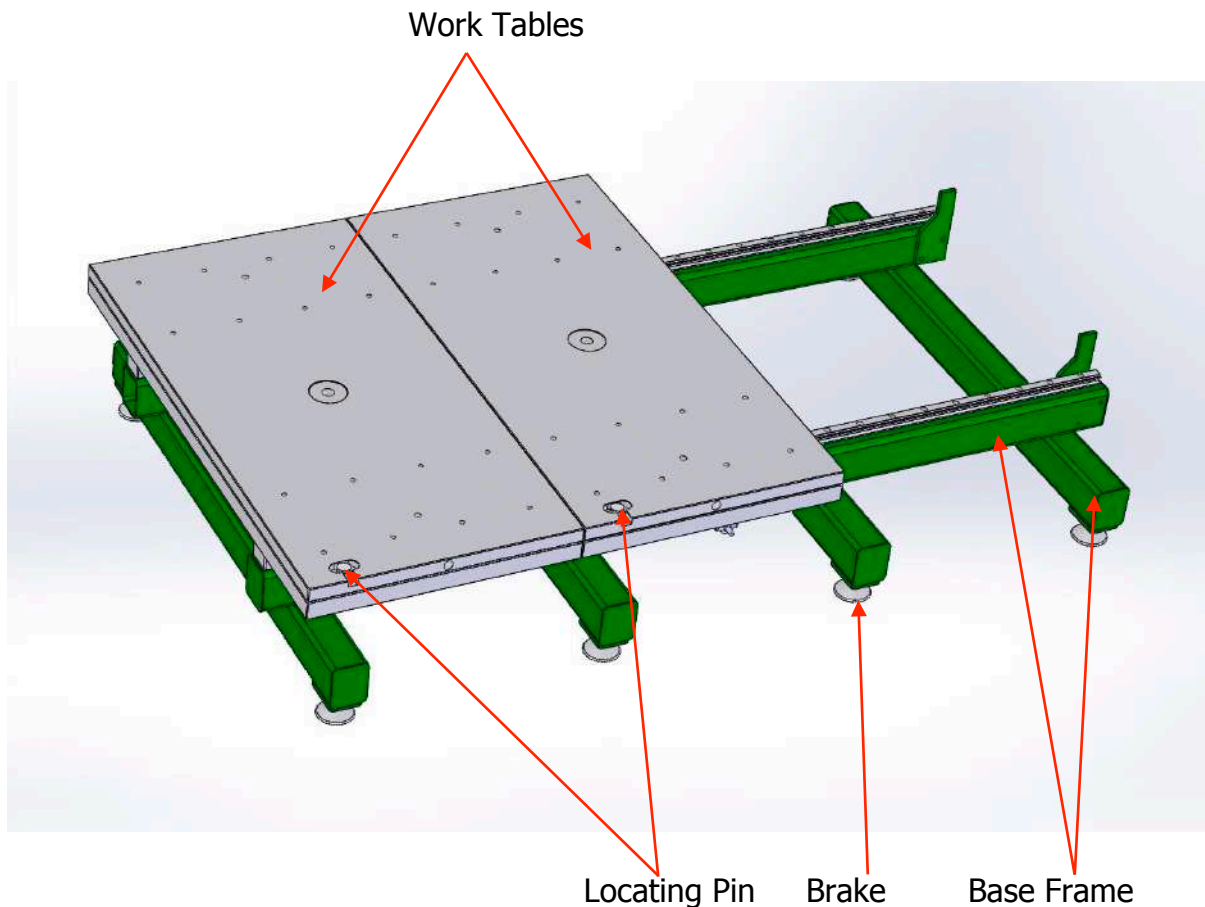
## B. Specifications

Model	Max. load [weight of mould]	Total length [mm]	Total width [mm]	Work area – each table [mm]	Weight of Device [Kg]
PFM 3000	3 000 kg	1 210	710	370 x 595	250

## C. Description

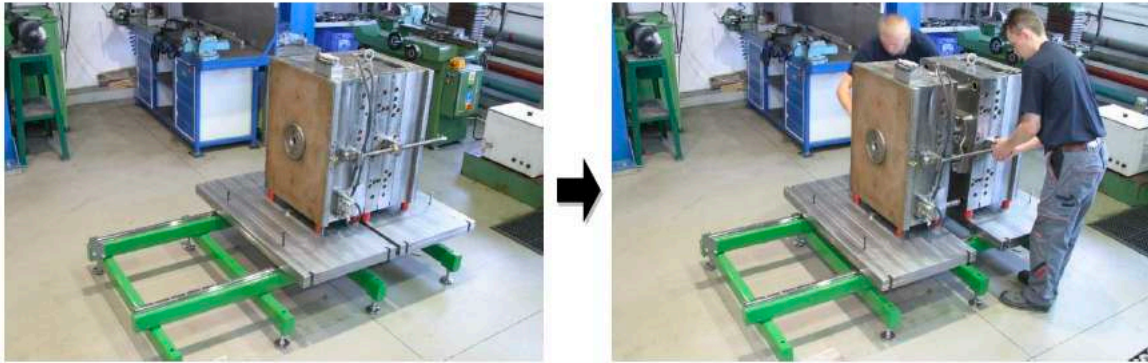
Construction of the device is made of steel and consist of main parts:

- 1) Base Frame – the base of the device equipped with leveling pads.
- 2) Work Table – is intended to load the mould, to open the mould, to rotate the mould. One Work Table is static, second Work Table is moveable on LM Guides. Moveable Work Table can be stopped by brake. Both Work Tables are equipped with Locating Pin to fix the Work Table from rotation.



## D. Operation

Opening of mould



Rotating of mould



Closing of mould





B-152, Mayapuri Industrial Area, Phase – I, New Delhi – 110064, India  
Tel: 011-43738825 Email: [plassteze@plassteze.com](mailto:plassteze@plassteze.com) URL: [www.plassteze.com](http://www.plassteze.com)

---

Thanking you and looking forward to receive your order at an early date.

Yours Sincerely,

For PLASSETEZE

Pankaj Goel