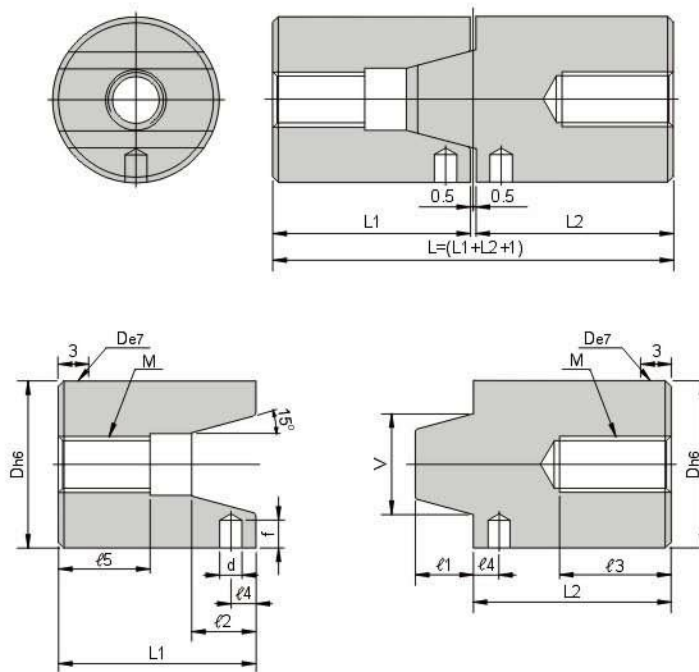


TAPER INTERLOCKS (FLAT)

GTP



**M** SKD61  
**H** HRC50°~55°



Type No.	D h6	L	d H7	V	L1	L2	l1	l2	l3	l4	l5	f	M
<b>GTP30072</b>	30	72	4	18	35.5	35.5	10.5	11.5	20	4.5	16.5	5	M10
<b>GTP42092</b>	42	92	5	23	45.5	45.5	14.5	15.5	20	5.5	18.5	7	M10
<b>GTP54112</b>	54	112	6	30	55.5	55.5	17.5	18.5	25	7.5	20.5	8	M12
<b>GTP80152</b>	80	152	8	42	75.5	75.5	27.5	28.5	30	7.5	25.5	11	M16

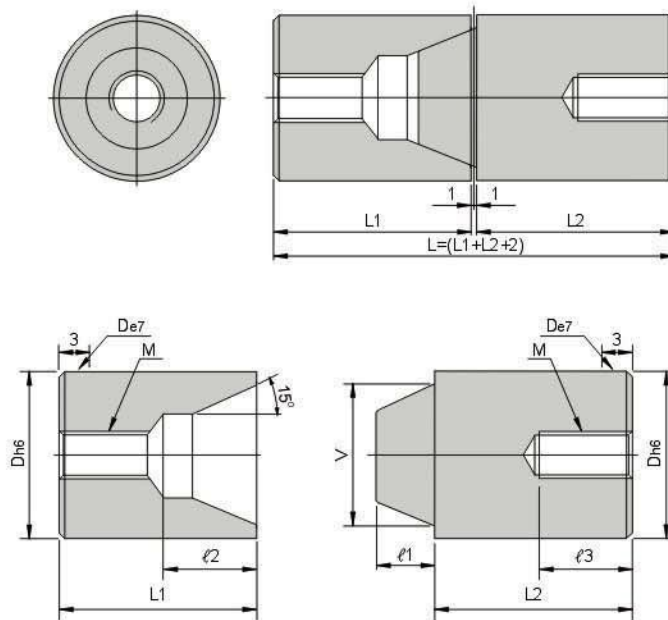
Order: **GTP42092** - Q'TY

TAPER INTERLOCKS (ROUND)

GTPN



**M** SKD61  
**H** HRC50°~55°



Type No.	D <sub>h6</sub>	L	V	L1	L2	ℓ1	ℓ2	ℓ3	M
<b>GTPN1234</b>	12	34	8	16	16	5	8	10	M4
<b>GTPN1434</b>	14		10			7		11	M5
<b>GTPN1634</b>	16		15			10		13	15
<b>GTPN2054</b>	20	54	15	26	26	10	13	15	M8
<b>GTPN2554</b>	25		20			11			
<b>GTPN2654</b>	26		10						
<b>GTPN3072</b>	30	72	25	35	35	14	20	18	M10
<b>GTPN3272</b>	32		35						
<b>GTPN4292</b>	42		92			35			

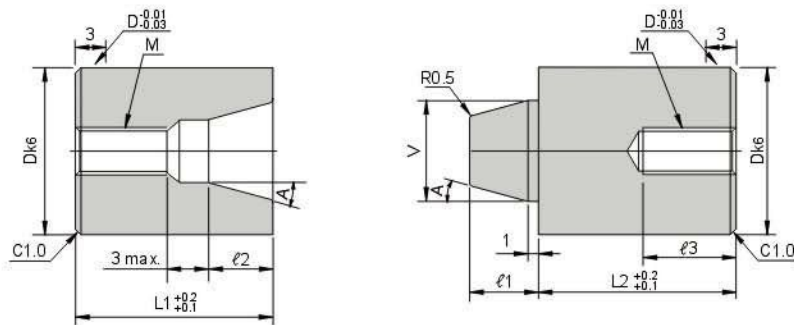
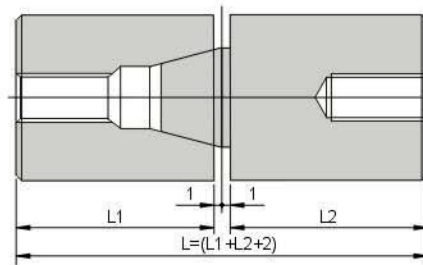
Order: GTPN2654 - QTY

TAPER INTERLOCKS (ROUND)

GTPNV



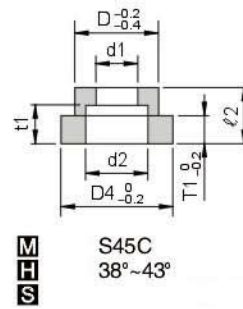
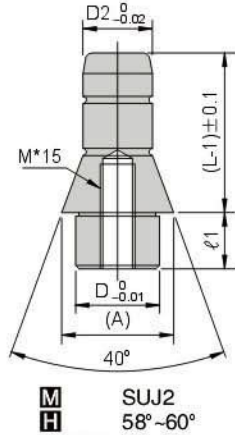
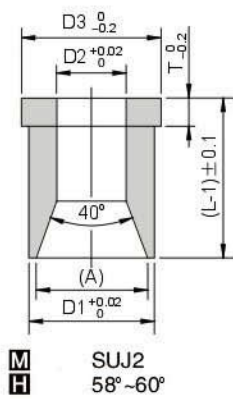
- ① **M** SCM415
- H** RC58°~62°
- ② **M** SKD11
- H** HRC58°~62°



Type	D k6	A	V	L	L1	L2	ℓ1	ℓ2	ℓ3	M
GTPNV	13	5°	8.5	30	14	14	6	5	10	M4
	16		10	30	14	14	6	5	10	M5
	20		13	40	19	19	9	8	12	M6
	25		16	50	24	24	12	11	16	M8
	30		20	60	29	29	15	14	20	M10
	32		20	60	29	29	15	14	20	M10
	35		24	70	34	34	18	17	24	M12
	42		30	80	39	39	24	23	24	M12

Order: GTPNV - D - QTY

**TAPER LEADER PIN SETS**



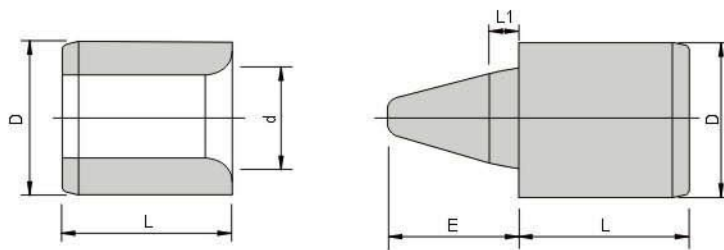
**GLPS**



Type NO.	D	L	D1	D2	(A)	D3	D4	T	M	l1	l2	T1	d1	d2	t1	
GLPS1220	12	20	18	10	16	20	16	4	M5	8	8	4	6	9	5.5	282
GLPS1225		25														282
GLPS1230		30														285
GLPS1620	16	20	25	14	20	30	20	6				5	13.5	8.2	240	
GLPS1625		25													248	
GLPS1630		30													254	
GLPS1635		35													260	
GLPS1640		40													265	
GLPS1650		50													276	
GLPS1660	60	288														
GLPS2025	20	25	30	18	24	35	25	8	M8	15	14	5	8.5	14	9	290
GLPS2030		30														295
GLPS2035		35														298
GLPS2040		40														300
GLPS2050		50														308
GLPS2060		60														315
GLPS2530	25	30	35	23	29	40	30	8				6			325	
GLPS2535		35													328	
GLPS2540		40													332	
GLPS2550		50													342	
GLPS2560		60													350	

Order:  -

**RUBBER MOLDING TAPER LEADER PIN SETS**



**M** SCM-415  
**H** HRC60±2

**GT**



Type NO.	D ±0.01	d	E	L	L1	
GT2005	20.05	12.5	15	18	4.5	1 m/m
GT2010	20.10	12.5	15	18	4.5	1 m/m
GT2015	20.15	12.5	15	18	4.5	1 m/m
GT2055	20.55	12.5	15	18	4.5	1 m/m
GT2105	21.05	12.5	15	18	4.5	1 m/m
GT2205	22.05	12.5	15	18	4.5	1 m/m

Order:  -