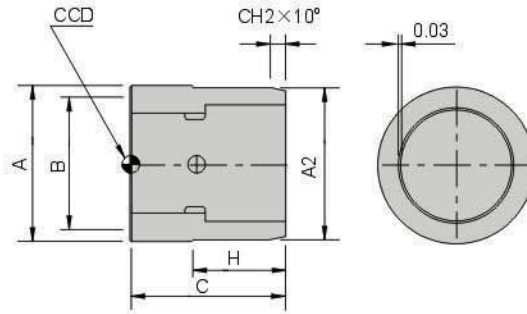


AIR-JET VALVES

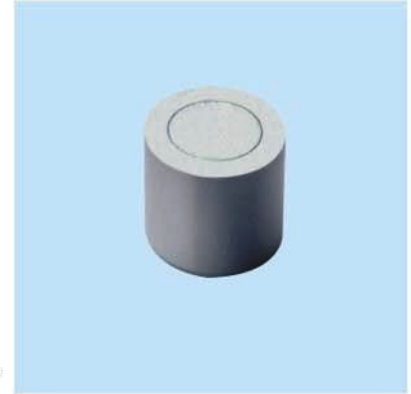
(RIB)

Double Valve: An effective method of semi pneumatic ejection, for tools with ribs or areas forming gas traps or vacuum conditions.



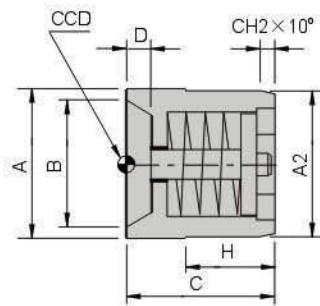
M SUS416
H HRC50°-55°

GVD



1.5-6BARS

Air Valve: Manufactured completely from stainless steel this unit has the advantage of high airflow. it is manufactured in six standard dimensions.

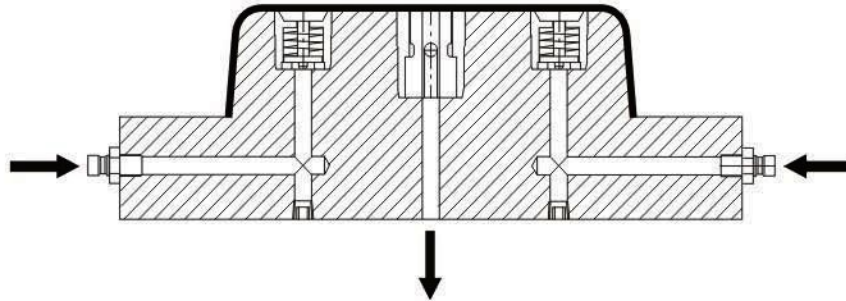


M SUS416
H HRC50°-55°

GVJ



Application example



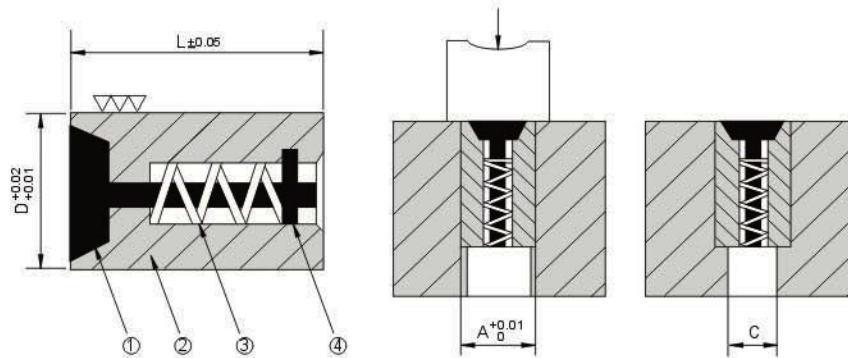
Type	A m6	A2 e8	B	C d9	E	H +1
GVD	8	8	5.2	12	6	7
	10	10	6.5	12	8	7
	12	12	8	10	10	7
	16	16	10	12	12	12

Order: **GVD** - **A** - **C** - **QTY**

Type	A m6	A2 e8	B	C d9	D	E	H +1
GVJ	6	6	5.2	12	1.5	4	7
	8	8	6.5	12	1.5	4	7
	10	10	8	12	2	8	7
	12	12	10	12	2.5	10	7
	16	16	13	20	3	12	12
20	20	17	20	3.5	16	12	

Order: **GVJ** - **A** - **C** - **QTY**

AIR-JET VALVES



GAJV



M SUS416

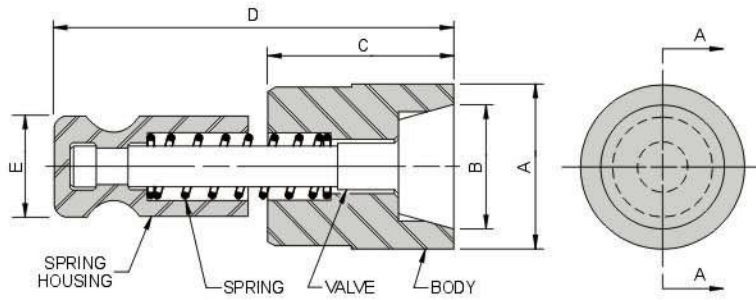
Type	D $\begin{smallmatrix} +0.02 \\ +0.01 \end{smallmatrix}$	L ± 0.05	A $\begin{smallmatrix} +0.01 \\ 0 \end{smallmatrix}$	C
GAJV	8	15	8	4.5
	10	20	10	6
	12	25	12	8
	16	30	16	10
	20	30	20	12
	25	30	25	15
	30	30	30	20

Order: **GAJV** - **D** - **Q'TY**

Details:

1. It is used under the vacuumed condition in the deep and closed molds. Or it can be used for having problems with ejection of ejector pin and for the larger size of final products, which has difficulty leaving the molds.
2. Easy installation, high precision to save space.
3. Using air valves to control the operation and the final products can leave the molds instantly.
4. Air-jet valves are made from stainless steels and it will never rust.
5. Air-jet valves are one of the most innovated tools for the molding industry. It will solve the problems for molds design and injection troubles.

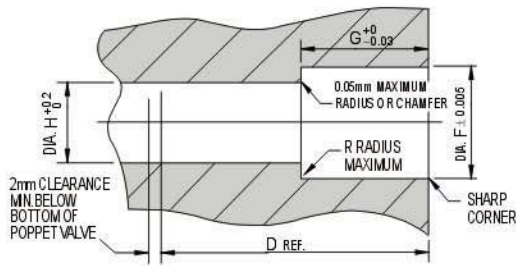
AIR POPPET VALVES



GVA



M SUS416

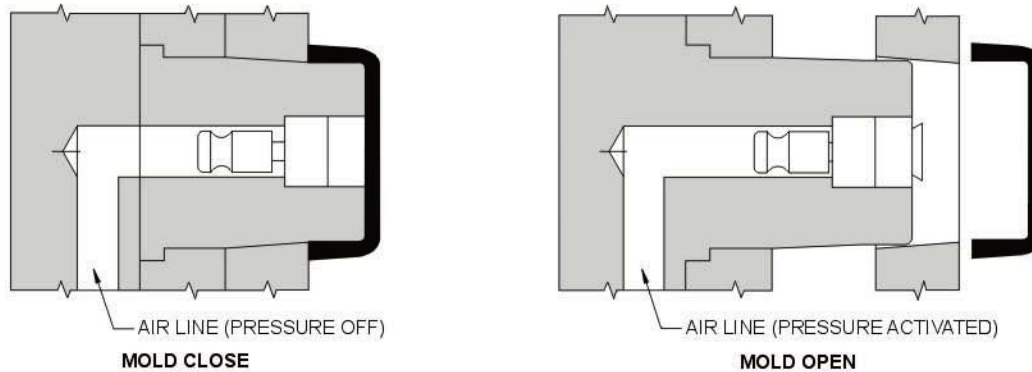


POCKET MACHINING DIMENSIONS

All dimensions shown are in mm

Type No.	F DIA.	G DEPTH	H DIA.	R	D REF.
GVA08	8	11	6.75	0.1	24
GVA12	12	18	9	0.2	34
GVA18	18	22	14	0.3	45.5

TYPICAL APPLICATION



Type No.	A	B	C	D	E
GVA08	8	6.6	11	24	6
GVA12	12	9.7	18	34	8
GVA18	18	14.8	22	45.5	12



Order: **GVA08** - QTY